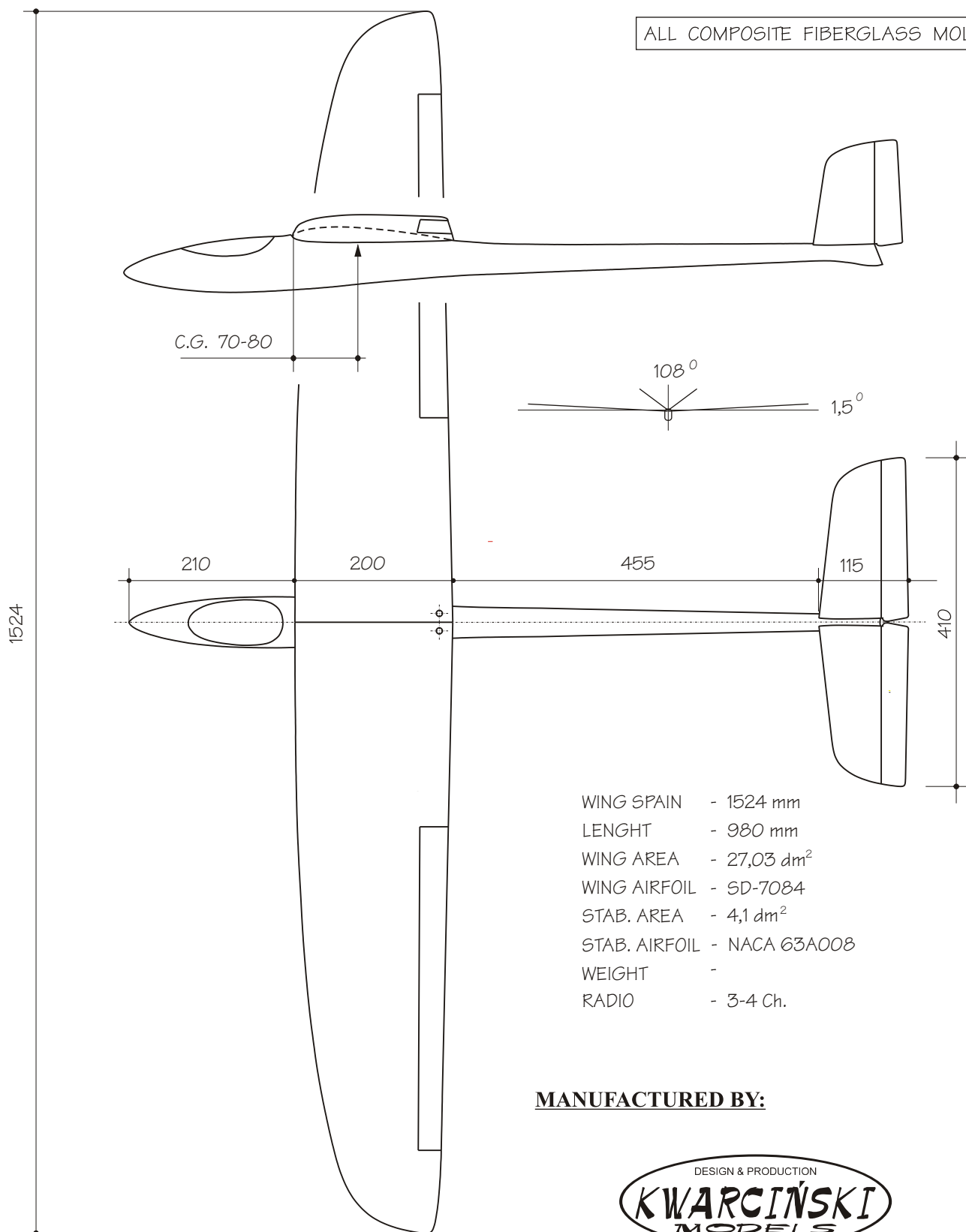


MAX 60

ALL COMPOSITE FIBERGLASS MOLDED



WING SPAIN - 1524 mm
LENGHT - 980 mm
WING AREA - 27,03 dm²
WING AIRFOIL - SD-7084
STAB. AREA - 4,1 dm²
STAB. AIRFOIL - NACA 63A008
WEIGHT -
RADIO - 3-4 Ch.

MANUFACTURED BY:



62-800 Kalisz, Nowy Świat 27/21
POLSKA - POLAND
www.kwarcinski.com