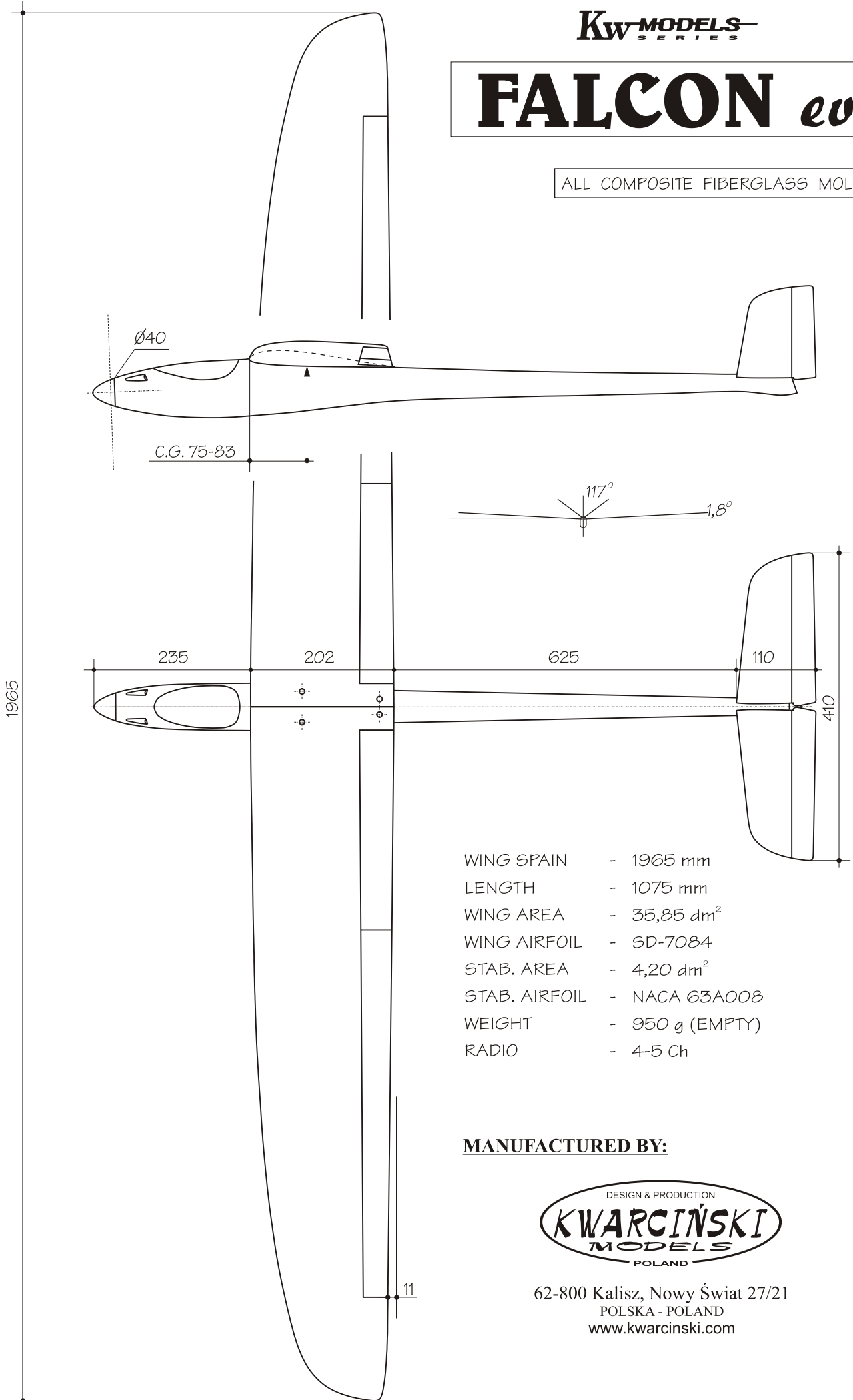


KW MODELS
SERIES

FALCON *evo*

ALL COMPOSITE FIBERGLASS MOLDED



- WING SPAIN - 1965 mm
- LENGTH - 1075 mm
- WING AREA - 35,85 dm²
- WING AIRFOIL - SD-7084
- STAB. AREA - 4,20 dm²
- STAB. AIRFOIL - NACA 63A008
- WEIGHT - 950 g (EMPTY)
- RADIO - 4-5 Ch

MANUFACTURED BY:



62-800 Kalisz, Nowy Świat 27/21
POLSKA - POLAND
www.kwarcinski.com